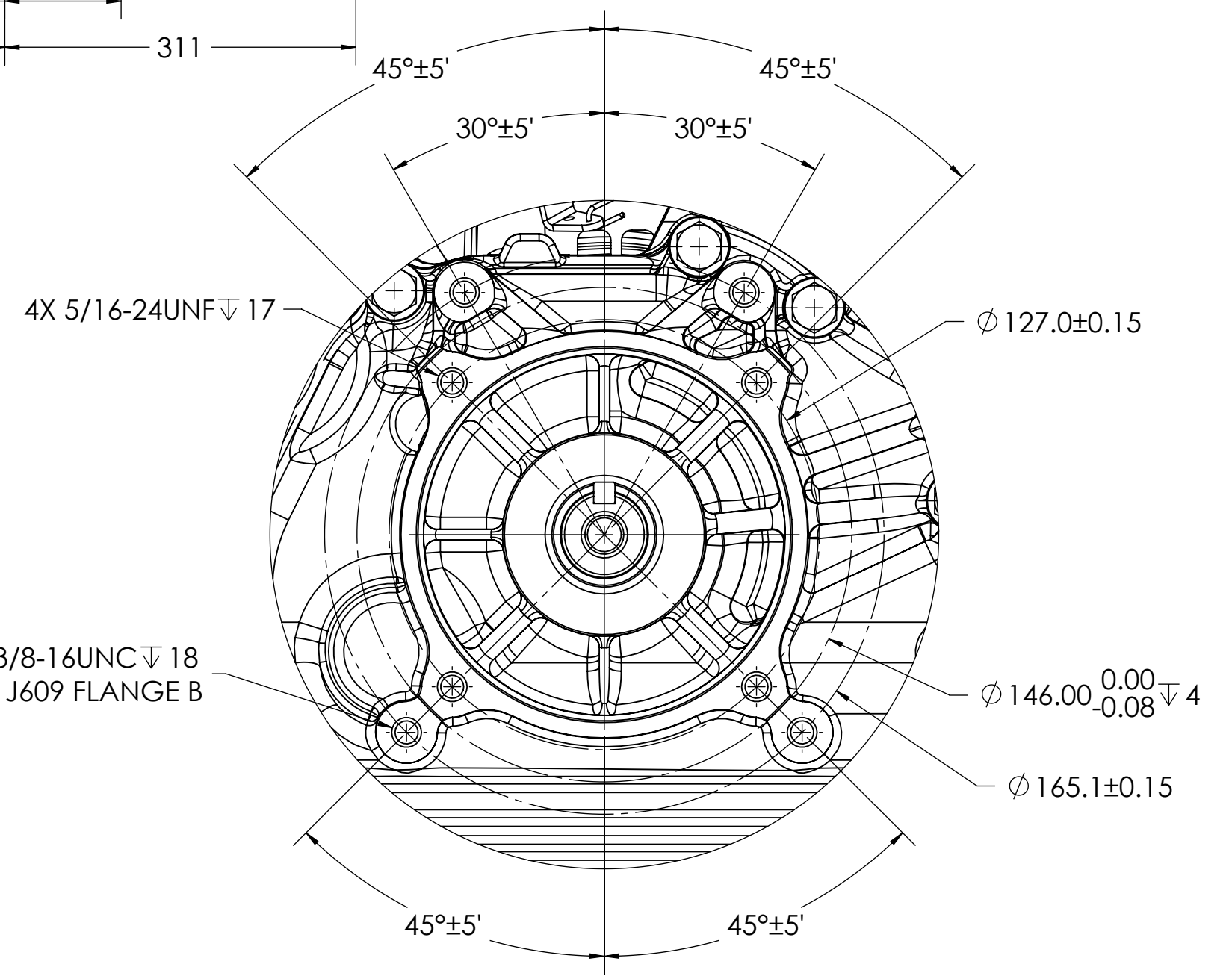
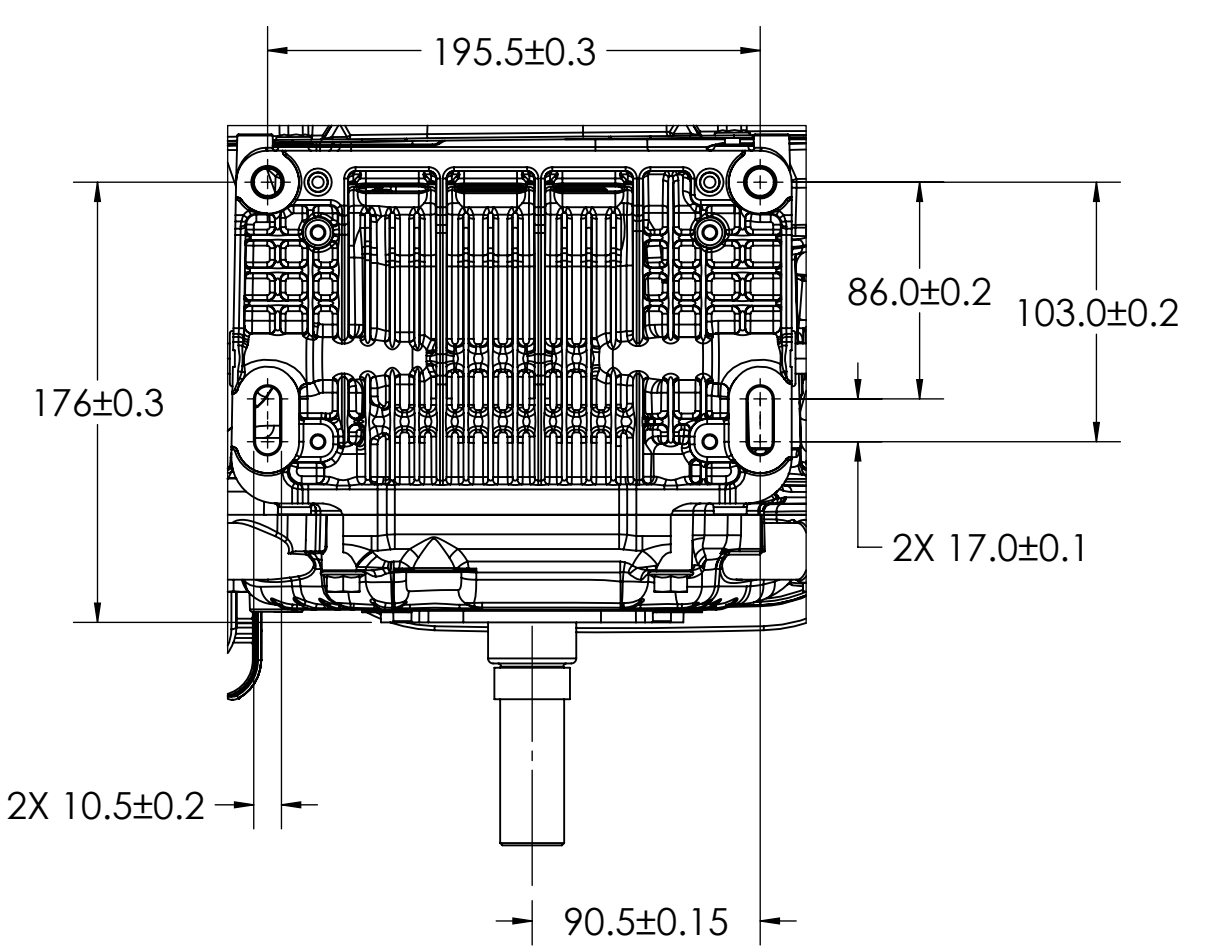
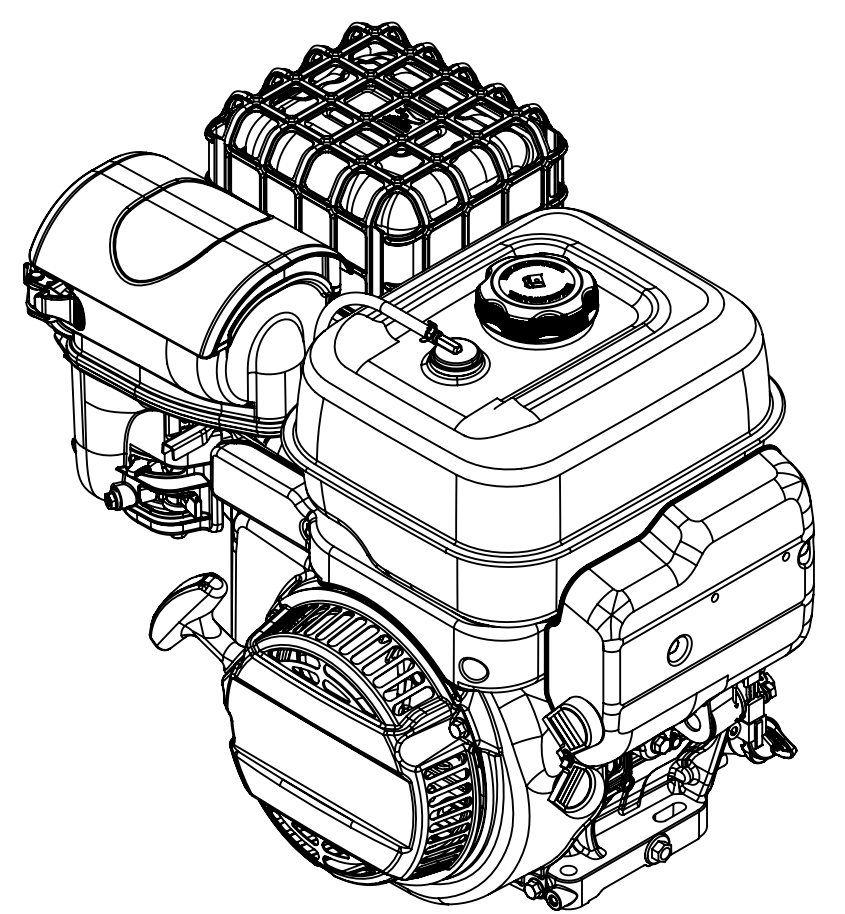
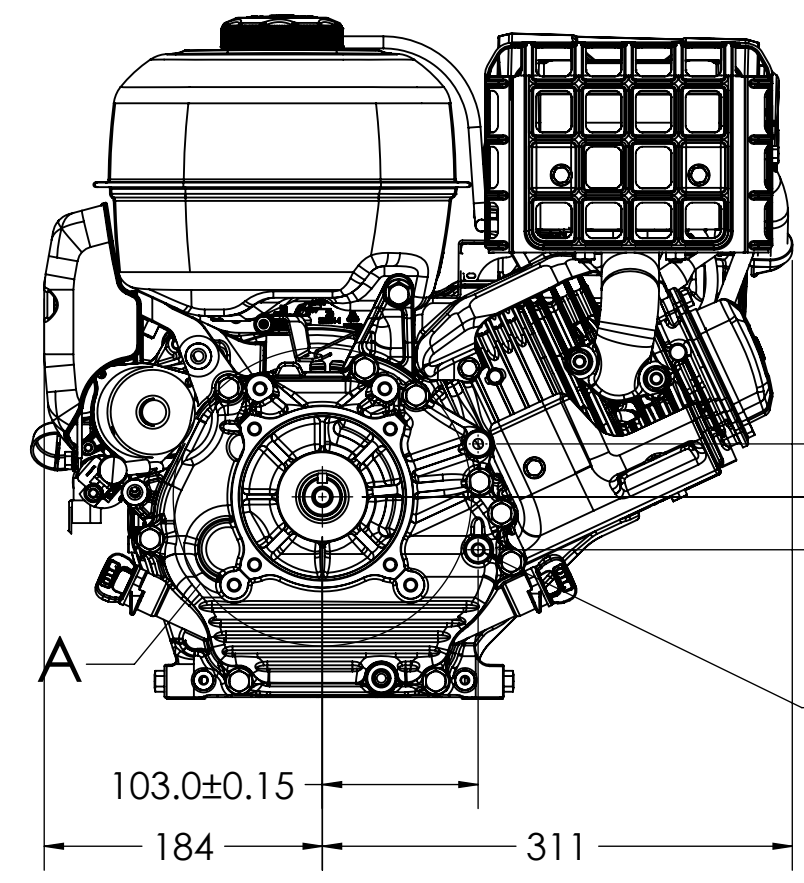
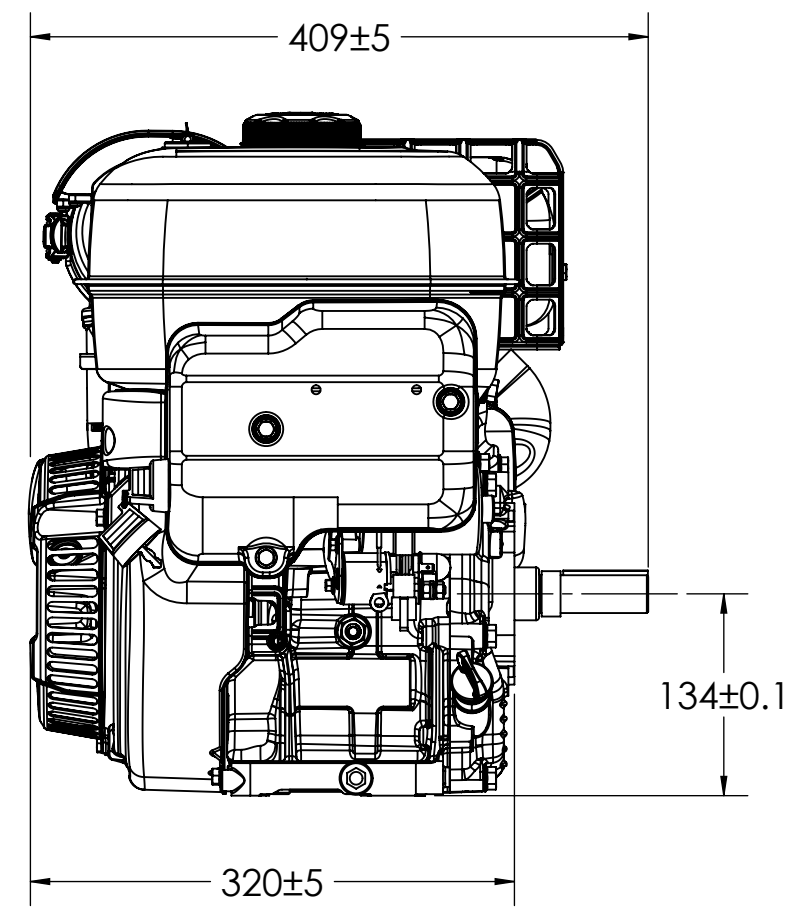
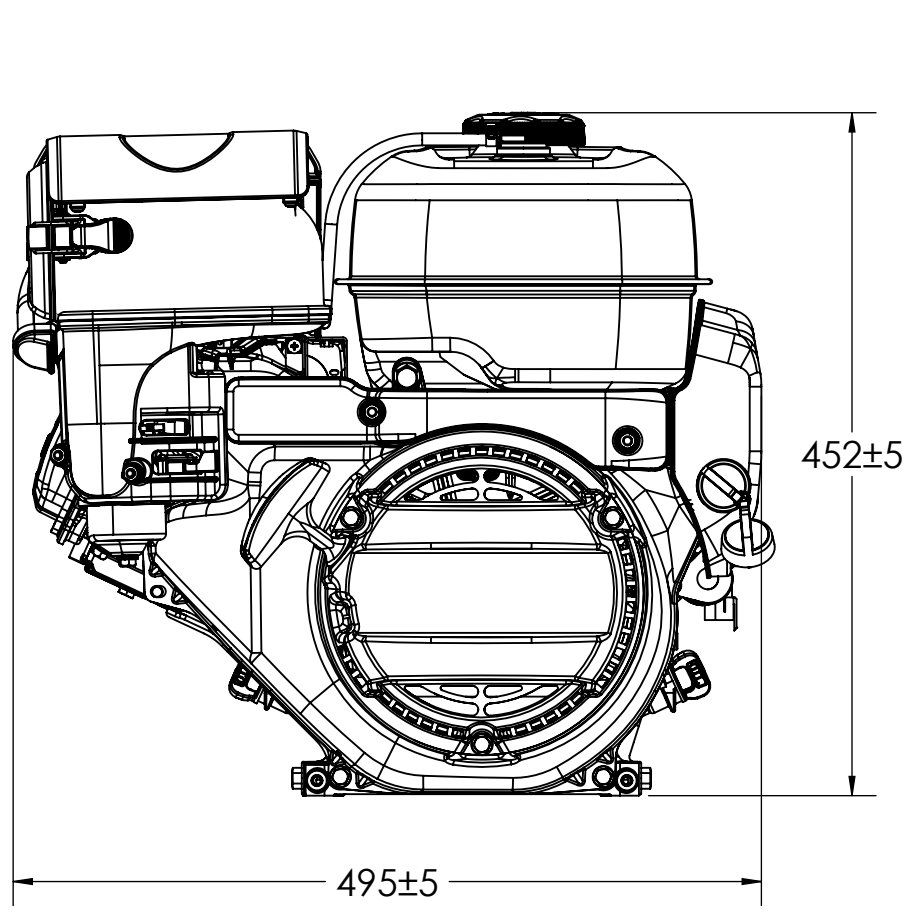


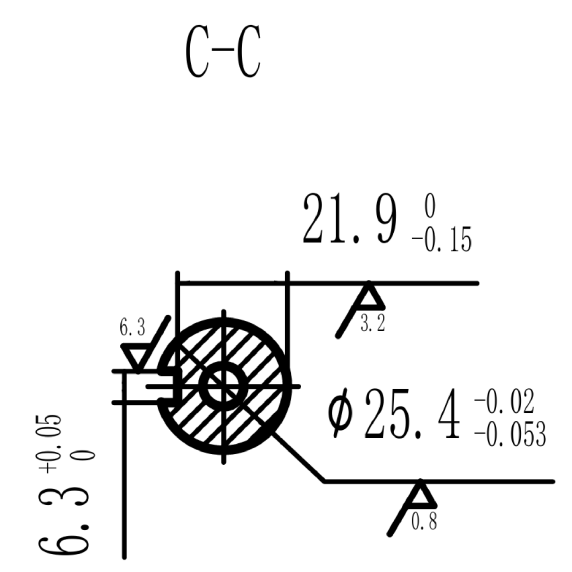
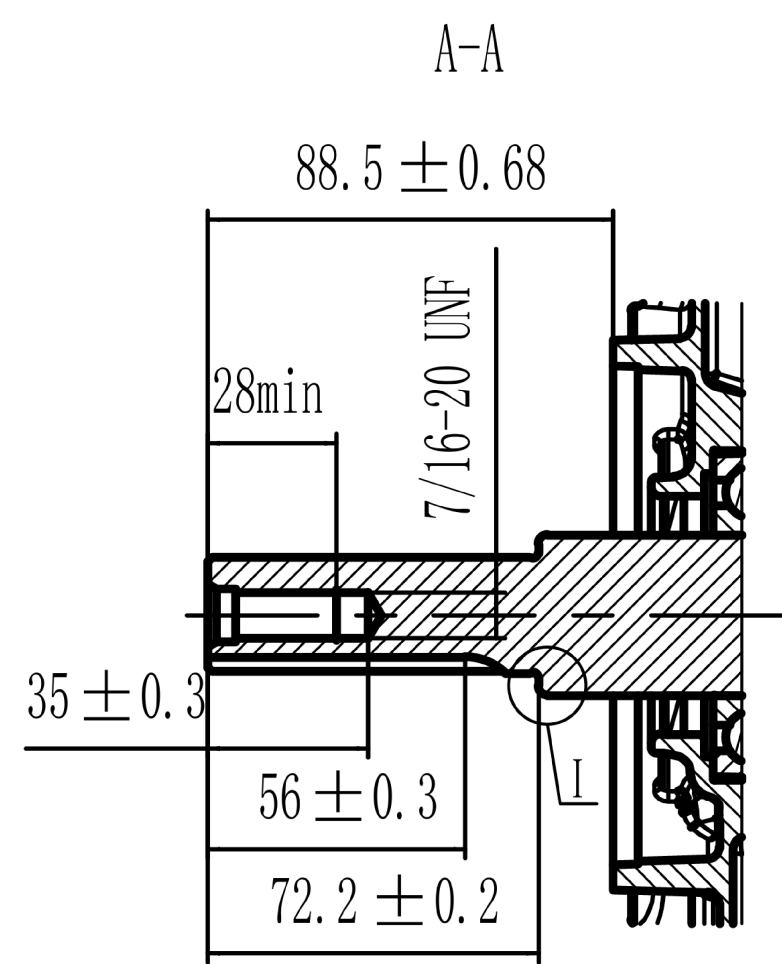
<b>ITEM</b>	<b>FNA PARTS NO.</b>	<b>KIT DESCRIPTION</b>	<b>QTY</b>	<b>MATCH</b>
1	7126548	Valve Cover	1	110096
2	7126549	Cylinder Head Kit	1	110096
3	7126550	Carburetor Kit	1	110096
4	7126551	Carburetor	1	110096
5	7126552	Air Filter Kit	1	110096
6	7126341	Air Filter Element	1	110096
7	7126553	Muffler	1	110096
8	7126554	Piston Ring Set	1	110096
9	7126555	Piston	1	110096
10	7126556	Connecting Rod Assembly	1	110096
11	7112466	Low Oil Sensor Kit	1	110096
12	7126557	Short Block Kit	1	110096
13	7126558	Camshaft	1	110096
14	7126575	Dipstick	1	110096
15	7111035	Oil Drain Plug Kit	1	110096
16	7112470	Ignition Module	1	110096
17	7118106	Flywheel	1	110096
18	7126561	Starter Cup	1	110096
19	7126562	Starter Fan Cover Kit	1	110096
20	7126560	Starter Kit	1	110096
21	7122894	Oil Alarm Harness Kit	1	110096
22	7126563	Adjustable Throttle Kit	1	110096
23	7123601	Internal Governor Kit	1	110096
24	7126564	Governor Spring Kit	1	110096
25	7126565	Fuel Tank	1	110096
26	7111121	Fuel Cap	1	110096

28	7126566	Gasket Kit	1	110096
29	7126567	Oil Seal And Bearing Kit	1	110096
30	7126568	Roll Over Valve Kit	1	110096
31	7126569	Electric Starter Kit	1	110096
32	7118111	Charging Coil Kit	1	110096
33	7126570	Switch Kit	1	110096
34	7126571	Digital Meter Case	1	110096

REV		DESCRIPTION	ECN#	BY	CHECK	APPROVE	DATE
A		INITIAL DRAWING RELEASE					



DETAIL A  
SCALE 3 : 5



THIRD ANGLE PROJECTION  
UNLESS OTHERWISE SPECIFIED:  
DIMENSIONS ARE IN MM TOLERANCES:  
X ± 2.5  
.X ± 0.76  
.XX ± 0.25  
ANGULAR: ± 1° BEND: ± 1°  
ALL MACHINED SURFACES: √ 3.2  
INTERPRET GEOMETRIC TOLERANCING  
PER LATEST: ASME Y14.5M  
DO NOT SCALE DRAWING

**FNA-GROUP**  
7152 99th Street,  
Pleasant Prairie, WI 53158  
**PROPRIETARY AND CONFIDENTIAL**  
THE INFORMATION CONTAINED IN THIS  
DRAWING IS THE SOLE PROPERTY OF FNA-  
GROUP. ANY REPRODUCTION IN PART OR  
AS A WHOLE WITHOUT THE WRITTEN  
PERMISSION OF FNA-GROUP IS PROHIBITED.  
WEIGHT: 33500g  
MATERIAL:

DESCRIPTION:  
**CRX460, ELECTRIC START,  
GENERAL PURPOSE**  
BREAK ALL SHARP  
EDGES AND  
REMOVE BURRS  
DWG. NO.  
**2406503CUST**  
REV:  
**A**  
1 OF 1